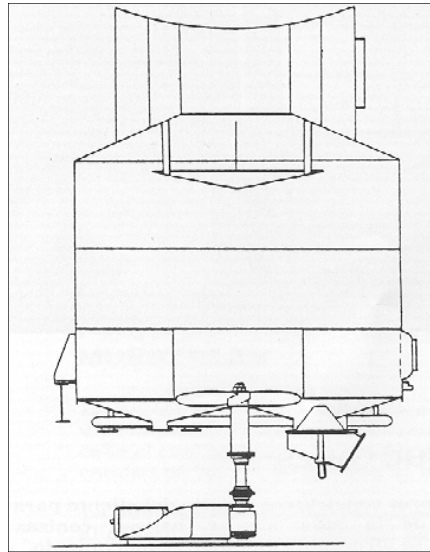




Top and Bottom Mounted Circulators



A HONIRON Mechanical Circulator can be installed in any vacuum pan, whether it is a HONIRON pan or not.

Advantages of the HONIRON designed mechanical circulators:

- Good circulation maintained through the strike
- Saving in strike time of up to 30 %
- Provides more uniform grain
- Provides grain with less inclusions
- Increased vacuum pan yield

The HONIRON Mechanical Circulator can be provided for either top or bottom mounting.

PAN SIZE CU. FT.	DOWNTAKE DIAMETER	PROP DIAMETER	H.P.	RPM	CIR. RATE CU.FT./MIN.
1000	39 3/4"	38"	60	100	2500
1500	69 1/2"	68"	60	68	4500
2000	81"	72"	75	68	5000
2400	72"	70"	75	73	5090

"Your Partner for Success"



P.O. Box 620 / 400 South Canal Street, Jeanerette, Louisiana 70544 USA
 Phone (337) 276-6314 Fax (337)276-3614
 www.honiron.com Email: sales@honiron.com